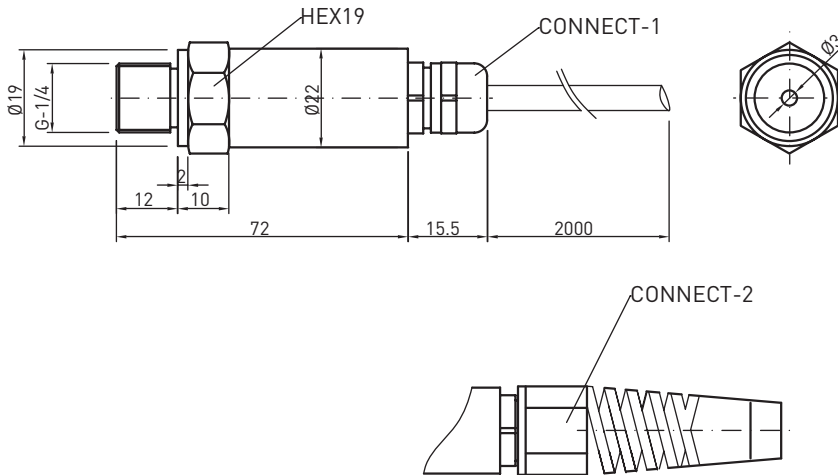

 尺寸及量程 / Size and Capacity



 特点和用途 / Features & Applications

- 不锈钢材料、小体积、高灵敏度。
- 应用：液压、压铸、中央空调系统、恒压供水、机车制动系统、轻工、机械、冶金、石化、环保、空压机等其他自动控制系统。

- Pressure sensor with high sensitivity, small size, made of stainless steel.
- Applications: Hydraulic, die-casting, central air conditioning system, constant pressure water supply, locomotive braking systems, light industry, machinery, metallurgy, petrochemical, environmental protection, air compressor and other automatic control systems.

量程 / Capacity: 100KPa ~ 60MPa

 技术参数 / Technical Parameters

参数	Specifications	技术指标/Technique
输出信号	Output signal	0~10mV, 0~15mV, 0~33mV, 0~100mV (四线制 Four-wire) 4~20mA (二线制 Two-wire) 0~5V, 1~5V, 0~10V (三线制 Three-wire)
综合精度	Comprehensive Precision	0.25~0.5%F.S.
供电电压	Power supply	5~10VDC (传感器 Sensor) 12~30VDC (变送器 Transmitter)
介质温度	Medium temperature	-20°C~85°C (Option 1) -20°C~150°C (Option 2)
环境温度	Ambient temperature	-20°C~85°C
负载电阻	Load resistance	电压型 Voltage type $\geq 50k\Omega$ 电流型 Current type $\leq 800\Omega$
绝缘电阻	Insulation	$\geq 5000M\Omega/50VDC$
响应时间	Response time	$\leq 1ms$
防护等级	Protection class	IP65
长期稳定性	Long term stability	0.1%F.S./年
振动影响	Vibration effects	20~1000Hz, 影响小于0.2%F.S. Impact is less than 0.2%F.S.
电器接口	Electrical interface	M12 × 1, 直接导线Ø5 × 1000mm, 赫斯曼线或客户定制 Direct wire Ø5x1000mm, Hessman lines or customized
螺纹连接	Thread connection	M12 × 1, M14 × 1.5, M20 × 1.5, G1/2, G1/4, 1/4NPT 或客户定制 or customized

Rev. 02/2014